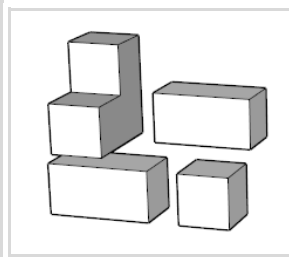
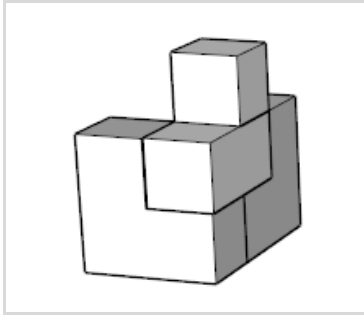
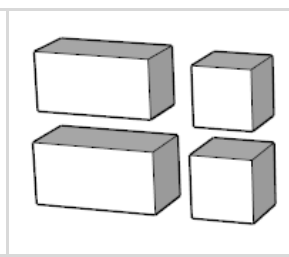


11 Plus for Parents

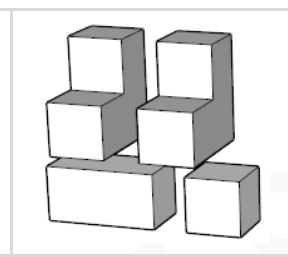
Spatial Reasoning - Building Blocks



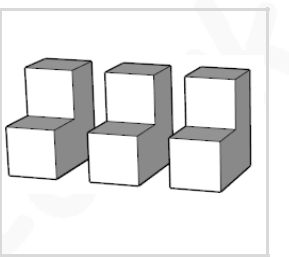
a



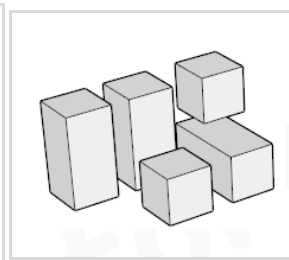
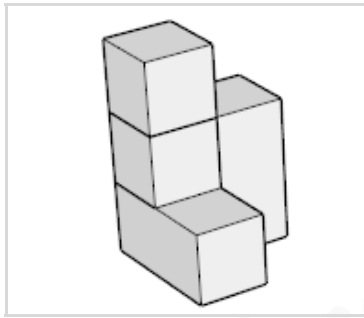
b



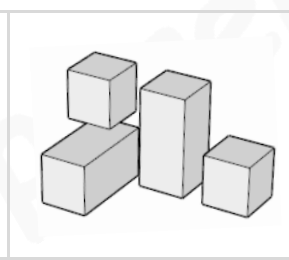
c



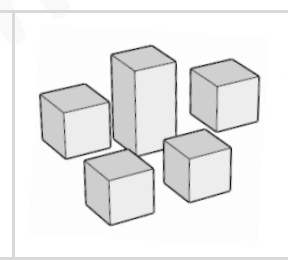
d



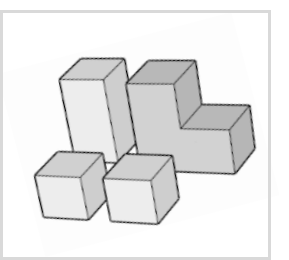
a



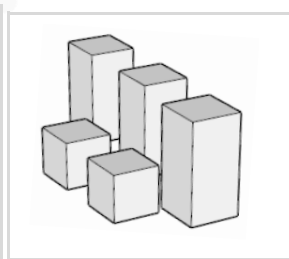
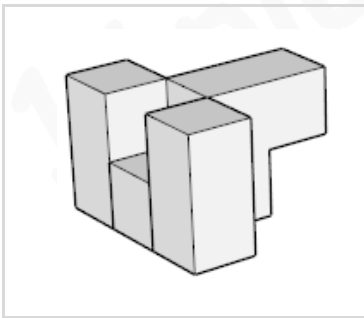
b



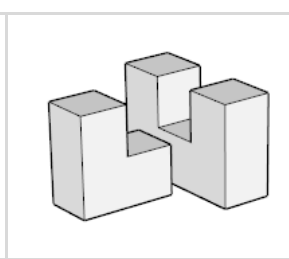
c



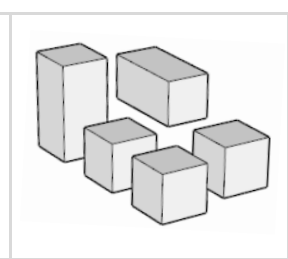
d



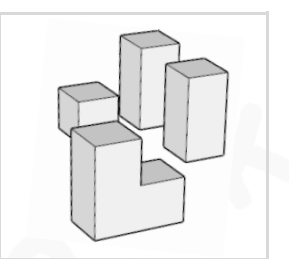
a



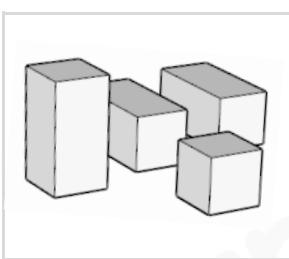
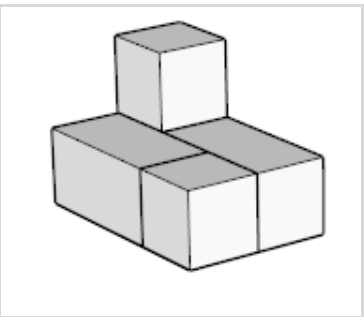
b



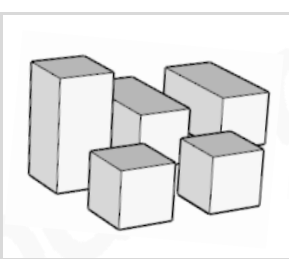
c



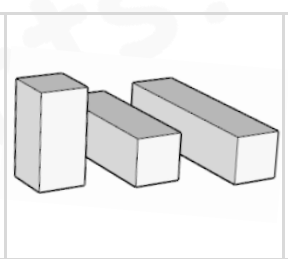
d



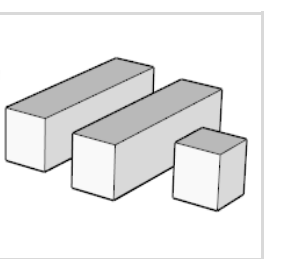
a



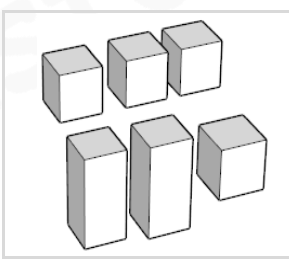
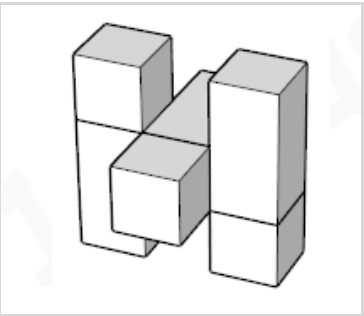
b



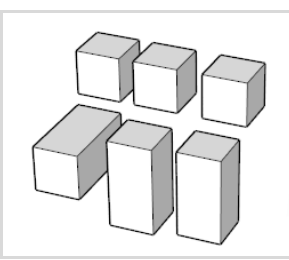
c



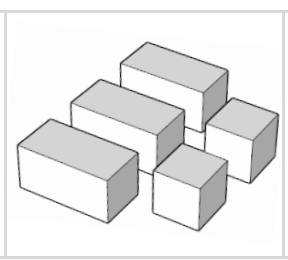
d



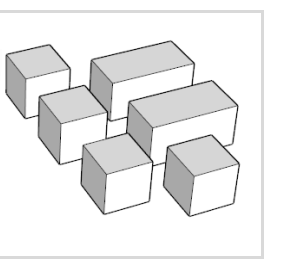
a



b



c



d

11 Plus for Parents

Spatial Reasoning - Building Blocks

